



# Clean Touch

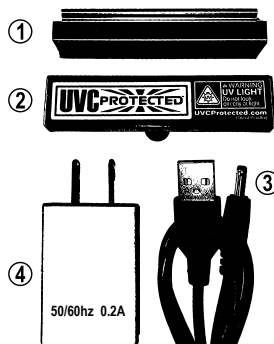
- Small modular design.
- Automatic ON/OFF motion sensor.
- Destroys viruses, bacteria, and mold.
- No Chemicals
- Disinfects and sanitizes
- Plugs into standard USB Port.
- One-year warranty.



Payment Terminal Not Included

## ITEMS INCLUDED

- ① Mounting Plate
- ② Clean Touch™ [Device]
- ③ USB Power Cord
- ④ USB AC 100V-240V Power Cord Adapter

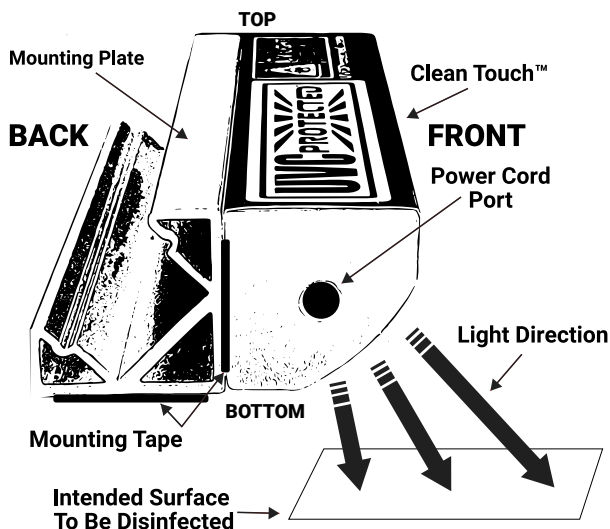


## INSTALLATION INSTRUCTIONS

Please Reference INSTALLATION DIAGRAM

1. Adhere mounting plate to the back of Clean Touch™ [device] using the double-sided mounting tape (provided.) Ensure a strong bond by pressing the back of the mounting plate and the front of the device together firmly with distributing force for 30 seconds.
2. Test the placement of the device ensuring the light direction is pointing at the intended surface to be disinfected. Confirm that there are no obstructions preventing the light from reaching the surface to be disinfected. Confirm that the mounting surface is flat, strong, stable, and clean.
3. Adhere the bottom of the mounting plate to the mounting surface using the double-sided mounting tape (provided.) Ensure a strong bond between the mounting plate and mounting surface by pressing the top of the mounting plate with distributing force firmly for 30 seconds. Do not press down on top of the device.
4. Plug the USB power cord prong into the power cord port. Plug the other end of USB power cord into a standard USB 50/60 Hz 0.2A port or use the optional power cord adapter.
5. Clean Touch™ will perform a system load for a few moments with the lights turning ON and OFF. When the lights turn ON, the device is disinfecting the intended surface. Disinfecting will occur only when no motion is detected for 8 consecutive seconds after motion was last sensed. Disinfecting will be interrupted (lights turned off) if motion is detected within a 2 feet radius in front of the device. The device will continue to disinfect automatically by turning ON after no motion is detected and OFF instantly when motion is detected or when the disinfecting cycle is complete.

## INSTALLATION DIAGRAM



**WARNING:** Do not expose eyes or skin directly to UV-C light. Keep this device out of the reach of children at all times. Indoor use only. Only point Device towards a surface you wish to sanitize.